

10 SERIES HC10WB2R1

2MP IR Bullet IP Camera

| OPERATIONAL | |
|---------------------------------|--|
| Video Standard | PAL/NTSC |
| Scanning System | Progressive |
| Image Sensor | 1/2.8" Progressive Scan CMOS |
| Number Of Pixels(H x V) | 1920(H)×1080(V) |
| Minimum Illumination (Color/BW) | 0.1 Lux @ (F1.2,AGC ON) / 0 Lux @ (IR LED ON) |
| S/N Ratio | 55 db |
| Electronic Shutter Speed | Auto/Manual, 1/5 ~ 1/20,000s |
| IR Distance | Up to 30 m (98.4 ft) |
| IR Light Control | Auto/Manual |
| Day/Night | Auto(ICR)/Day / Night |
| Backlight Compensation | DWDR, BLC, HLC |
| White Balance | Auto/Manual |
| Gain Control | 0-100% |
| Wide Dynamic Range | DWDR |
| Noise Reduction | 2D/3D DNR |
| Lens | Fixed Focal, 4mm, F2.0 |
| Angle Of View (H x V x D) | H: 87.8°, V: 44.4° |
| Privacy Masking | Off / On (4 Areas, Rectangle) |
| Defog | Supported |
| Local Storage | Built-in Micro SD slot, up to 256GB (SD card level Class 10 or above) |
| VIDEO | |
| Video Compression | H.265 HEVC/H.264 |
| Number of Video Streams | 2 Streams |
| Frame Rate | Main Stream: 1920×1080, 1280×720 @ 25/30fps Sub Stream: 704×576, 640×360, 480×360, 352×288 @ 25/30fps |
| Bit Rate | Main Stream: 128kbps ~ 4096kbps, default 2048kbps Sub Stream: 16kbps ~ 1536kbps, default 1024kbps |



| NETWORK | |
|-------------------------|--|
| Ethernet | 1 Ethernet (10/100 Base-T) RJ-45 Connector |
| Supported Web Browsers | IE11, Chrome, Firefox, Microsoft Edge |
| Supported OS | Microsoft Windows 10 |
| Protocols* | IPv4, RTSP/RTP/RTCP, TCP/UDP, DHCP, DNS, DDNS, UPNP, ICMP, IGMP, NTP, SMTP, SNMP |
| Interoperability | ONVIF Profile S |
| Maximum Users Access | 4 Users |
| Languages Supported | English, Chinese (Simplified), French, Korean, Polish, Italian, Spanish, German, Hungarian, Russian, Vietnamese, Thai, Danish, Czech, Slovakia, Indonesian, Portuguese, Dutch, Hebrew, Arabic, Turkish |
| EVENTS / ANALYTICS | |
| Video Analytics | Motion Detection, Intrusion, Line Crossing, Tampering |
| Event Linkage | Event notification using Email and MicroSD card |
| ELECTRICAL | |
| Power Supply | DC12V, 1A; or POE (IEEE 802.3af) |
| Power Consumption (Max) | Max 5.5W |
| MECHANICAL | |
| Dimensions | Ø182 mm × 66.2 mm × 66.2 mm (7.16" × 2.61" × 2.61") |
| Product Weight | 0.35 kg (0.77 lb) |
| Package Weight | 0.46 kg (1.01 lb) |
| Body Material | Die-cast aluminum housing |
| Color | Honeywell White (RAL9003), Pantone Black |
| ENVIRONMENTAL | |
| Operating Temperature | -25°C ~ 55°C (-13°F ~ 131°F) |
| Relative Humidity | Less than 90% RH |
| Ingress Protection | IP66 |
| REGULATORY REGULATORY | |
| Emissions | FCC PART 15, CE (EN 55032) |
| Country of Origin | China |

* Some development may be required in specific user cases to support some of these protocols in the field as they mature over time.

10 SERIES 2MP IR Bullet IP Camera

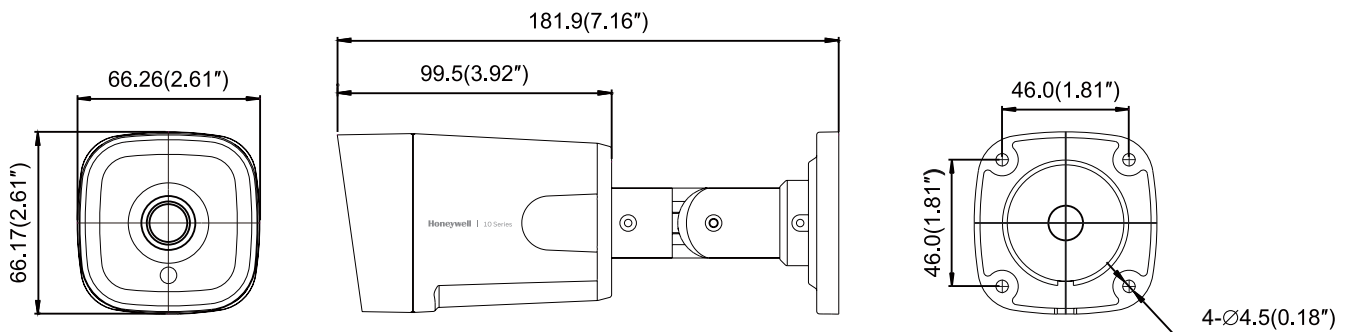
RECOMMENDED ACCESSORIES

| SYSTEM INTEGRATION | |
|--------------------|--|
| 35 Series NVR | Integration with 35 Series NVRs |
| HEN*4 | 8/ 16 / 32 / 64-Channel Performance Series 4K NVRs |
| HEN*3V | 4/ 8/ 16- Channel Embedded NVRs |

| OPTIONAL MOUNTS AND ACCESSORIES | |
|---------------------------------|-------------------------|
| HA10 JCBH1 | 10S bullet junction box |

| ORDERING | |
|-----------|--|
| HC10WB2R1 | 2MP Network IR Bullet Camera, DWDR, 4mm Fixed lens, H.265, POE/12VDC, IP66 |

DIMENSIONS



For more information
buildings.asean@honeywell.com

Malaysia (ASEAN Headquarters)
Honeywell International Sdn. Bhd.
Level 25, UOA Corp Tower B, Avenue 10,
The Vertical, Bangsar South City,
59200, Kuala Lumpur, Malaysia

www.honeywell.com



ONVIF and the ONVIF logo are trademarks of ONVIF Inc.
HEVC Advance logo is a trademark of HEVC Advance
Honeywell reserves the right, without notification, to
make changes in product design or specifications.